

## Ambient Vaporizer Unit

The PRS fan forced double vaporizer unit has two separate vaporizer units and one 20.000ltr high pressure liquid Nitrogen tank. The units are installed on a trailer using the container lock system which makes it easy to be disassembled.

### Capacity

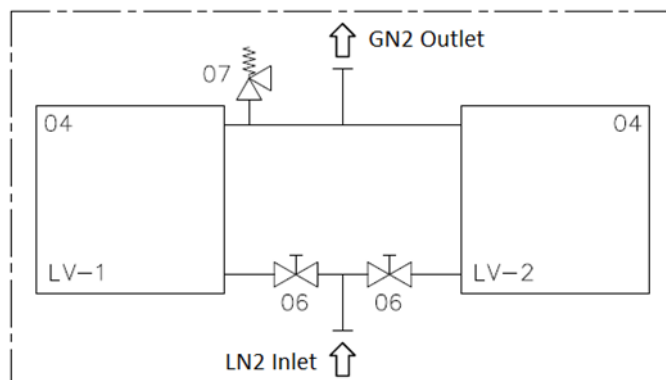
2 x 650 Nm<sup>3</sup>/hr @ ambient temperature  
2 x 1300 Nm<sup>3</sup>/h @ forced ventilation  
Maximum working pressure 100 bar.  
20.000 ltr LIN tank

### Dimensions (overall)

L x W x H: 12 m x 2,4 m x 4 m  
Weight: 38 ton (Trailer mounted)

### Connections

Inlet 1.5" NIT 150  
Outlet 1-1/2" 600# RF flanged



Flow Diagram

Each vaporizer unit is equipped with 4 fans - Atex

Ambient Vaporizer in use during Reactor purging activities and supporting the Catalyst change out during a Refinery T.A.

### Typical applications:

- Nitrogen purging
- Nitrogen back up
- Helium Leaktesting

Also used for gas-up of Ethylene and Propylene pipelines.

