

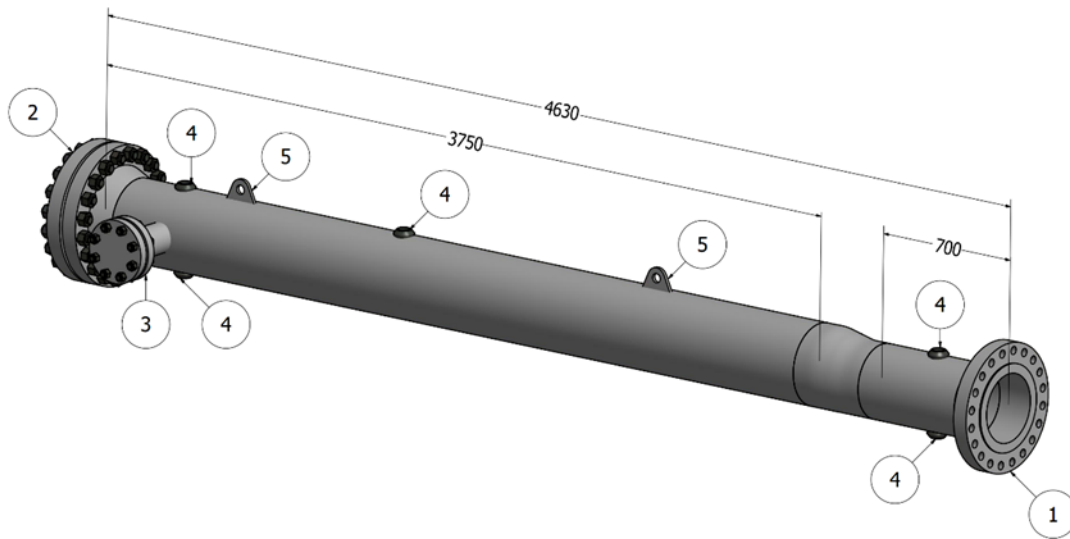
Pig Launcher/Receiver 12 inch 600#

Equipment Description

PRS International provides and installs pig launching and receiving installations for oil, gas and liquid installations. PRS International is capable to provide launchers and receivers of any size and pressure rating. All launchers / receivers are fully certified and tested before they are send to the costumer.

PRS International Launchers and receivers are designed to accommodate displacement, cleaning, scraper pigs and ILI pigs or any other type of pig. PRS International provides complete solutions for pipeline jobs such as cleaning, drying or displacements.

PRS has a range of launchers and receivers vary from 4 inch to 48 inch in sizes. See table below for the connections and the specific dimensions of the 12 inch 600# pig trap.



#	Type connections
1	12" WN 600# RF Flange
2	14" WN 600# RF Flange
3	4" WN 600# RF Flange
4	2" NPT 3000# Threadolet
5	Lifting Eye
12" 600# 2.15m Straight Spool Available	

Parameter	Range
Overall length	4700 mm
Barrel length	3750 mm
Nominal length	700 mm
Flange Class	600# RF
Barrel size	14 inch sch60
Design pressure	96 BARG
Weight	400Kg
Serial no	111696-A & -B