

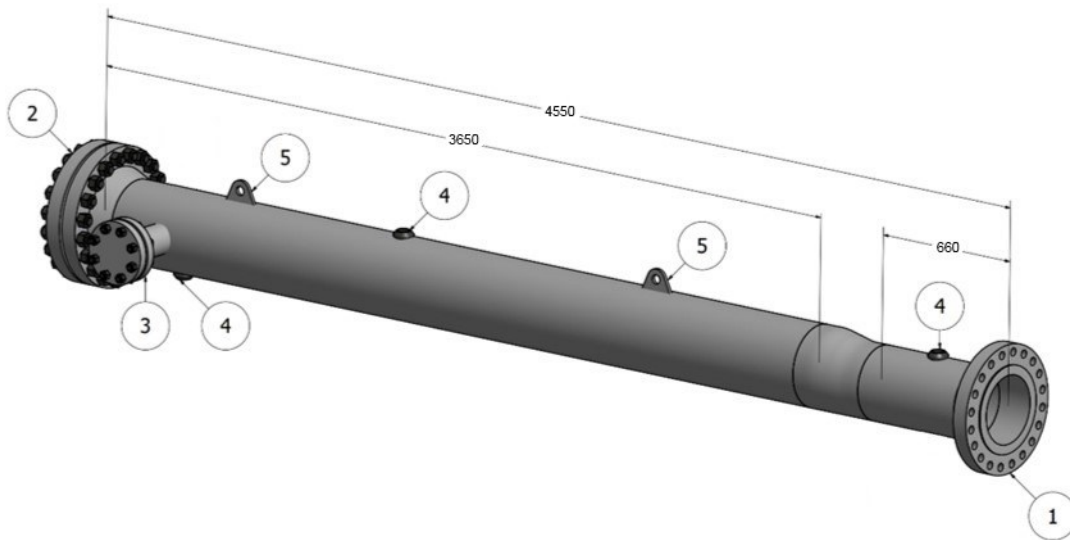
## Pig Trap 10 inch 600#

### Description

PRS International provides and installs pig launching and receiving installations for oil, gas and liquid installations. PRS International is capable to provide launchers and receivers of any size and pressure rating. All launchers / receivers are fully certified and tested before they are send to the costumer.

PRS International Launchers and receivers are designed to accommodate displacement, cleaning, scraper pigs and ILI pigs or any other type of pig. PRS International provides complete solutions for pipeline jobs such as cleaning, drying or displacements.

PRS International has a range of launchers and receivers vary from 4 inch to 48 inch in sizes. See table below for the connections and the specific dimensions of the 10 inch 600# pig trap.



#	Type connections
1	10" WN 600# RF Flange
2	12" WN 600# RF Flange
3	4" WN 600# RF Flange
4	2" NPT 3000# Threadolet
5	Lifting Eye
10" 600# 2.15m Straight Spool Available	

Parameter	Range
Overall length	4550 mm
Barrel length	3650 mm
Nominal length	660 mm
Flange Class	600# RF
Barrel size	12 inch sch40
Design pressure	80 BARG
Weight	350Kg
Serial no	1115/6B & 1115/6A

**24/7 excelling in services!**

#### PRS International

Industrieweg 10  
7761 PV Schoonebeek  
The Netherlands

T: +31 (0)524 599 980  
E: info@prs-international.nl  
W: www.prs-international.nl

a VolkerWessels company